

October 1 2008

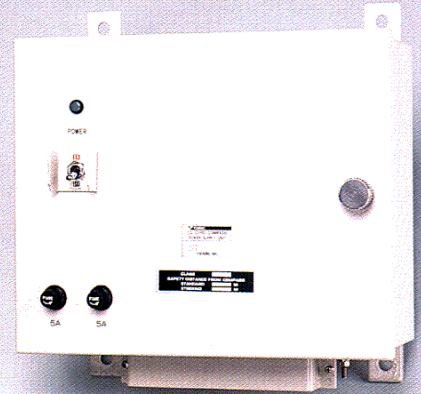
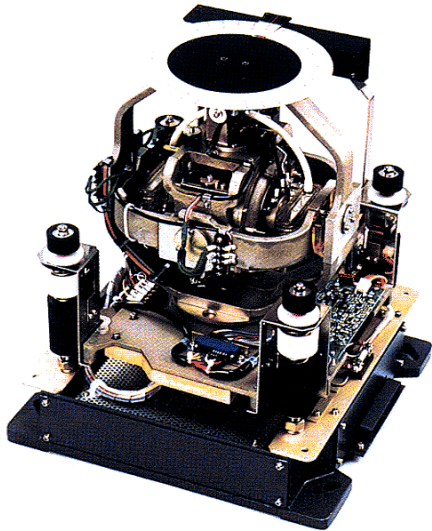


The company name
was changed to
TOKYO KEIKI INC.

2-16-46, Minami-Kamata, Ohta-Ku,
Tokyo 144-8551, JAPAN
TEL.+81-3-3732-2111
FAX.+81-3-3736-0261
<http://www.tokyo-keiki.co.jp/>

Compact Gyrocompass ES-110

Synchro Motor Output



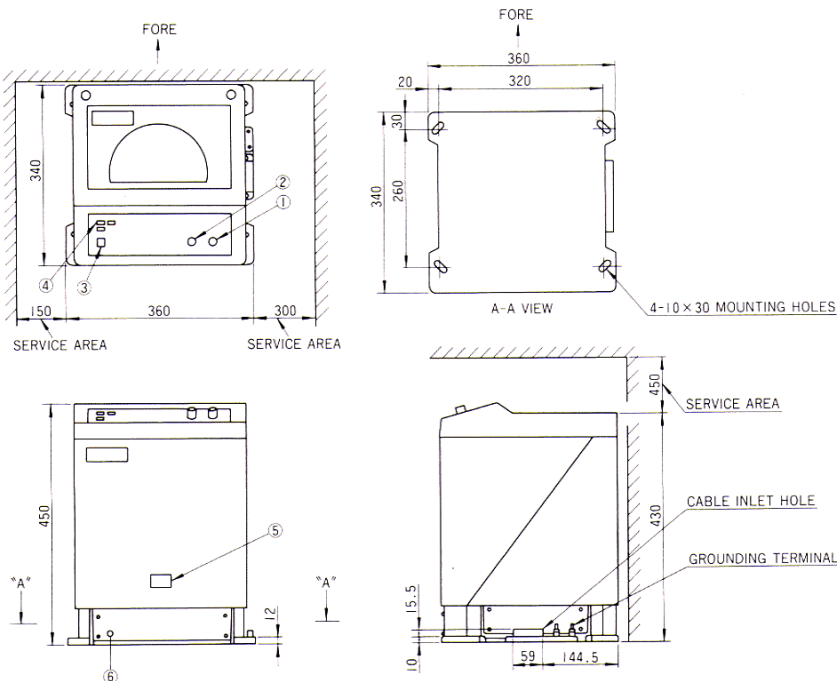
Model ES-110, the newest type of ES series, is a compact and popularized gyrocompass. It is especially designed for medium and small vessels' uses, by TOKIMEC's latest mechatronics technology.

ES-110 gyrocompass can also be used as a direction sensor for a lot of navigational equipment.

Compact Gyrocompass ES-110

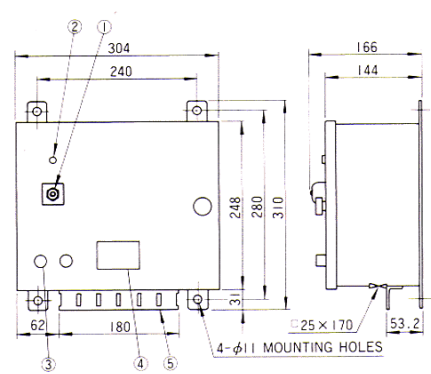
● Dimensions

Master Compass MASS 32 kg



No.	NAME	No.	NAME
1	POWER SWITCH	4	INDICATING LAMPS
2	LAT. CORRECT KNOB	5	NAME PLATE
3	DIMMER SWITCH	6	FUSE

Power Supply Unit MASS 12 kg



No.	NAME
1	POWER SWITCH
2	RUNNING LAMP
3	FUSE
4	NAME PLATE
5	CABLE CLAMP

● Basic Specifications

Main Power Supply	AC100 V 1 ϕ 50/60 Hz for Master Compass at starting 250 VA in normal operation 100 VA for one Repeater Compass 40 VA Voltage Fluctuation -20%~+30% Frequency Fluctuation \pm 5%
Emergency Power supply	DC24 V (only for Master Compass)
Ambient Temperature	-10°C ~ 50°C (at operation)
Settling Time	within 4 hours at Latitude 35°
Settle Point Error	less than \pm 1°
Follow-Up Speed	24°/sec
Gimbal Freedom	\pm 40° for both rolling and pitching
Latitude Error Correction	Manual (0~ \pm 70°)
Repeater Type	90 \times Synchro Motor AC100 V 50/60 Hz (7 circuits)
Optional Output	1 \times Synchro (15C \times 4)



Before operating this equipment, you should first thoroughly read the operation manual.

Design and specifications are subject to change without prior notice, and without any obligation on the part of the manufacturer.

TOKIMEC

TOKIMEC INC.

Control Division I

Head Office

TOKIMEC U.S.A., INC.

2-16-46, Minami-Kamata, Ohta-ku, Tokyo 144-8551, JAPAN

Phone 81-3-3737-8631 Fax 81-3-3737-8666

445 South Figueroa St., Suite 3770

Los Angeles, California 90071 U.S.A.

Phone 1-213-689-4747 Fax 1-213-689-0303

www.tokimec.co.jp/marine/