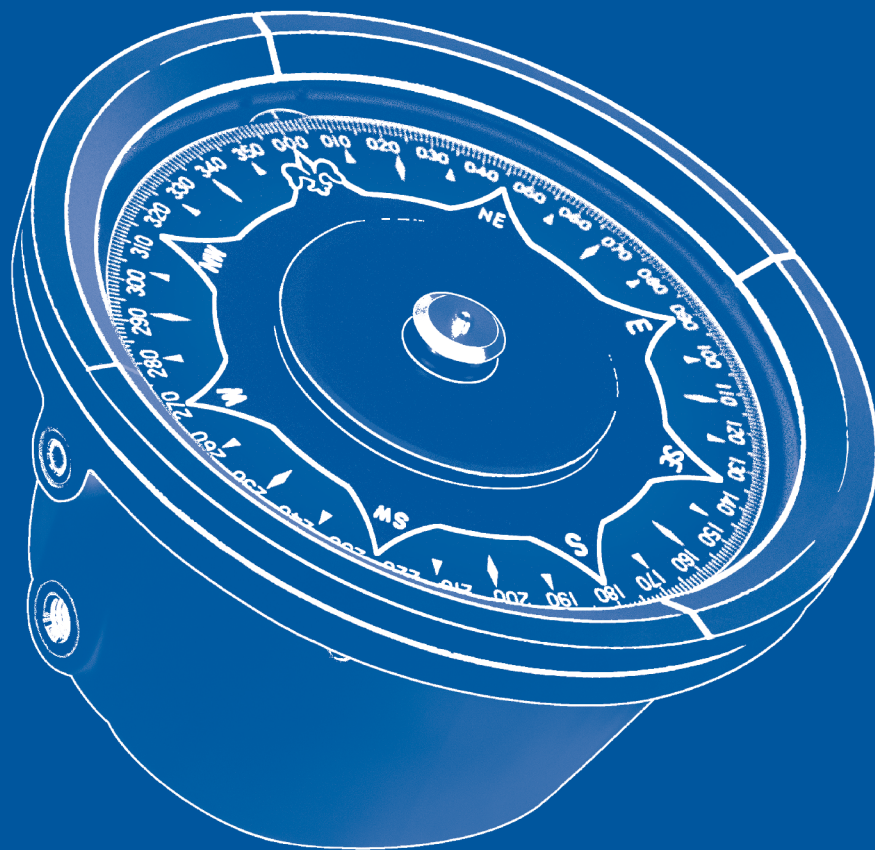


TOKYO
KEIKI

GYROCOMPASS

ACCESSORIES



TOKYO KEIKI INC.

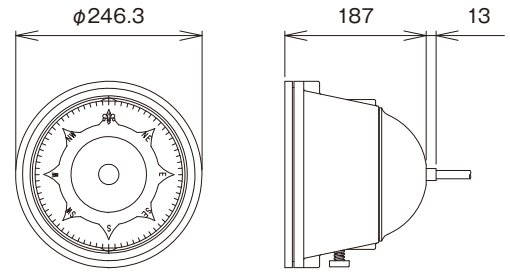
Repeater Compass



- Compass card inside of device
- Heading indication received from master compass
- Various mounting configurations

Mass: 4.5kg
IP rating: IP66

(Unit: mm)

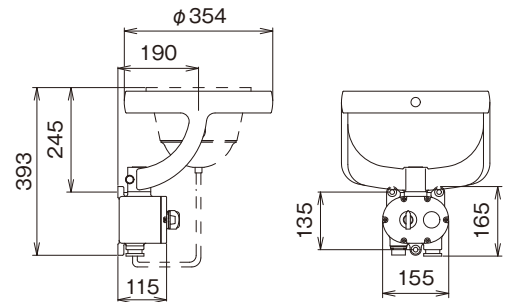


Repeater Mounting BB Type (BB: Bearing Bracket)



- Maintains Repeater Compass at the horizontal position
- Suitable for installation on bridge wall
- Easily measures target bearings with Azimuth Circle
- Easy to read under sunlight by Bearing Repeater Screen

Mass: 7.5kg
IP rating: IP44

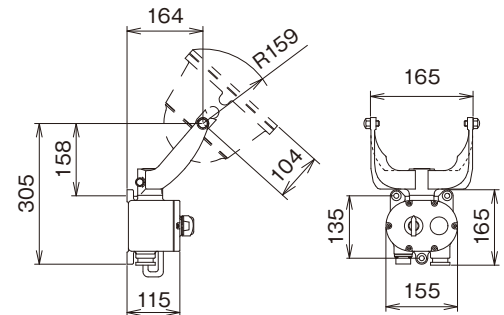


Repeater Mounting MB Type (MB: Mounting Bracket)



- Adjustable to various Repeater Compass mounting angles
- Suitable for installation in steering gear room

Mass: 4.5kg
IP rating: IP44

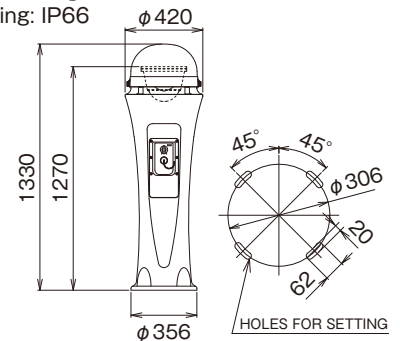


Repeater Stand BH Type (BH: Bearing repeater Horizontal stand)



- Stand mounting for Repeater Compass
- Suitable for installation on bridge wing
- Easy to read under sunlight by Bearing Repeater Screen
- Easily measures celestial bodies / target bearings with Azimuth Circle

Mass: 23.5kg
IP rating: IP66

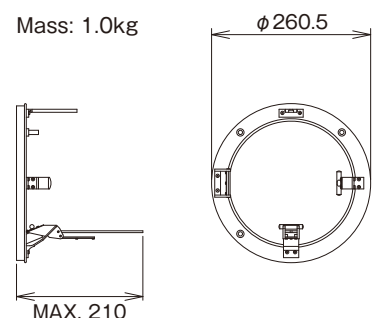


Azimuth Circle [GAC-198]



- Useable with BB / BH Type repeaters
- Easy to measure celestial bodies / target bearings

Mass: 1.0kg



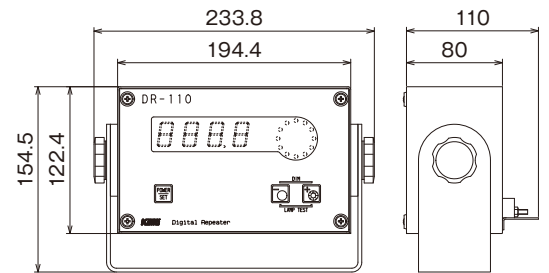
Digital Repeater Compass [DR-110]

(Unit:mm)



- Clear indication of digital display in increments of 0.1 degree (from 000°~359.9°)
- Easy to connect with Gyro Compass system
- Compact design to be installed anywhere
- Table mount / bulkhead / flush mount types are available
- Water-proof type (optional for bulkhead / flush mount type)

Table mount type / Mass: 2.5kg
IP rating: IP4X

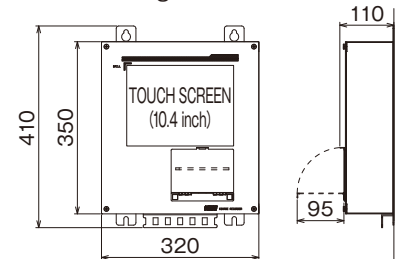


Digital Course Recorder [CR-100 / DCR-100]

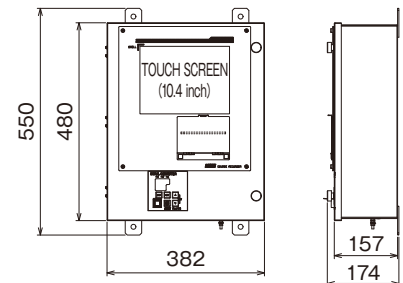


- Displaying and recording various information, like the date, hour, course, ship's heading, rudder angle(DCR only), etc.
- Easy for managing recorded data in digital format
- No need to buy consumable parts
- CF card used as recording media, durable for external use
- Is equipped with USB port to extract compact size data from CF card
- Possible to write and record information via the use of touch pen

[CR-100] Standard/ Bulkhead type / Mass: 7.4kg
IP rating: IP22



[CR-150] Retrofit / Bulkhead type / Mass: 13.0kg
IP rating: IP22



CR-100 Series : Single Channel Course Recorder

CR-100 Standard type	Heading information, Time (Serial signal)
CR-150 Retrofit type	Heading information (Step & Synchro signal)
CR-180 Retrofit type	Heading information (Serial signal)

DCR-100 Series : Dual Channel Course Recorder

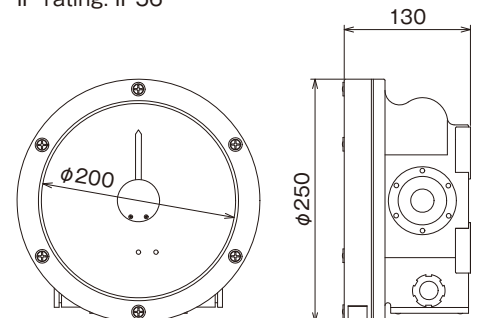
DCR-100 Standard type	Heading information, Rudder angle information, Time (Serial signal)
DCR-150 Retrofit type	Heading information, Rudder angle information (Step & Synchro signal)

Rate Of Turn Indicator [ROTI-320]



- Indicates vessel's turning rate in analog
- Complies with IMO performance standards
- Useful for maneuvering in narrow and congested areas
- Flush (with dimmer) / bulkhead(with or without dimmer) types are available
- Utilizes long life LED backlight
- Indicator specification as follows:
Range scale $\pm 30^{\circ}120^{\circ}300^{\circ}/\text{min}$. MAX
Scale length $\pm 120\text{mm}$

Bulkhead type / Mass: 5.5kg
IP rating: IP56

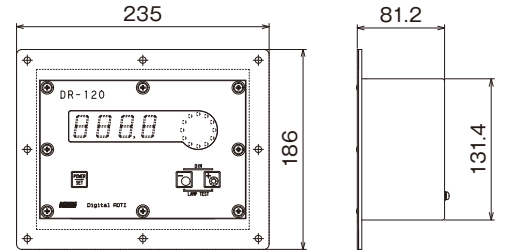


Digital Rate Of Turn Indicator [DR-120]



- Indicates vessel's turning rate in digital
- Numerical display in increments of 0.1 degree
- Compact design for easy installation (Captain's day room and steering gear room etc.)

Flush type / Mass: 3.0kg
IP rating: IP56



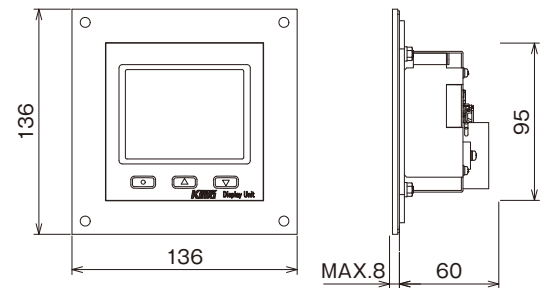
(Unit:mm)

Universal Display [UD-10]



- Indicates analog style heading by 3.5 inch color LCD
- MED Type Approval for Gyro Compass and Magnetic Compass as an optional equipment
- Available as heading display of Magnetic Compass, instead of reflecting pipe
- Multi-level adjustable brightness by built-in button type dimmer switch

Flush type / Mass: 1.0kg
IP rating: IP22

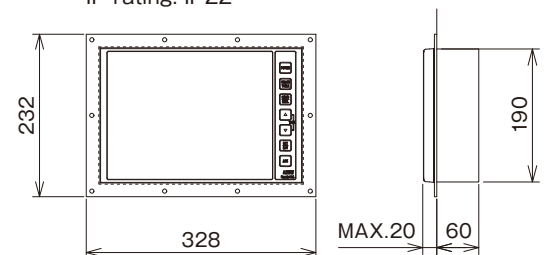


Universal Display [UD-100]



- Indicates analog style heading by 10.4 inch color LCD
- MED Type Approval for Gyro Compass as an optional equipment
- Multi-level adjustable brightness by built-in button type dimmer switch

Flush type / Mass: 1.5kg
IP rating: IP22



Design and specifications are subject to change without prior notice, and without any obligation on the part of the manufacturer.



Before operating this equipment, you should first thoroughly read the operator's manual.

TOKYO KEIKI

TOKYO KEIKI INC.

Marine Systems Company

Head Office

2-16-46, Minami-Kamata, Ohta-ku, Tokyo 144-8551 JAPAN
Tel. +81-3-3737-8611 Fax. +81-3-3737-8663

TOKYO KEIKI (SHANGHAI) CO., LTD.

C-1407, Orient International Plaza. No.85 Lou Shan Guan Rd., Shanghai 200336. CHINA
Tel. +86-21-3223-1252 Fax. +86-21-6278-7667

TOKYO KEIKI U.S.A., INC.

3452 E.Foothill Blvd.Suite 420 Pasadena, CA 91107 U.S.A.
Tel. +1-626-403-1500 Fax. +1-626-403-7400

<https://www.tokyokeiki.jp/e/products/marine/>